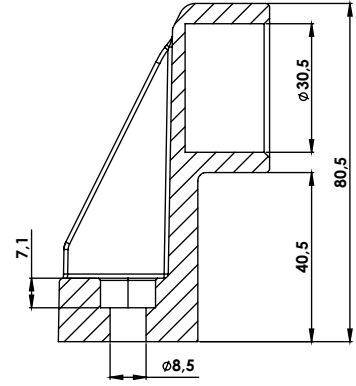
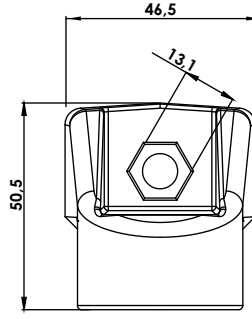


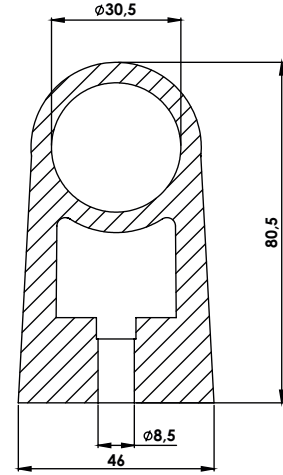
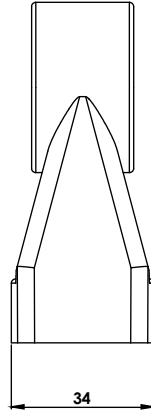
TK04.K.PLS

MAKİNA KAPAK KULPU KENAR
COVER HANDLE CORNER PART



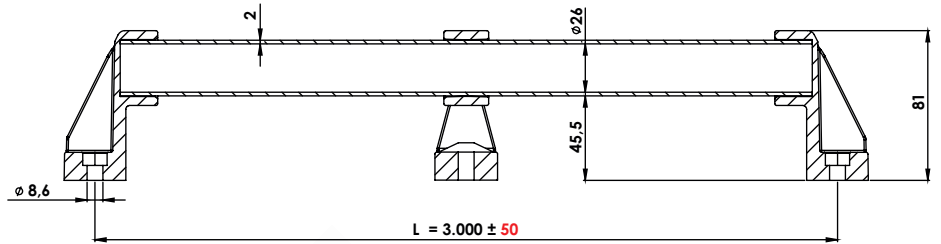
TK04.A.PLS

MAKİNA KAPAK KULPU ORTA
COVER HANDLE CENTER PART



TK04.B.3000

MAKİNA KAPAK KULPU BORUSU
COVER HANDLE PIPE



Kullanım Alanları

- * Elektrik Panoları
- * Makina Kapakları

Malzeme

- * Kenar Parça : Polyamide
DIN-EN ISO 1043-1 PA6 GFR30
- * Kol : Çelik
- * Kaplama : PVC

Applications

- * Electric Panels
- * Machinery Covers

Material:

- * Fixing Part : Polyamide
DIN-EN ISO 1043-1 PA6 GFR30
- * Handle : Steel
- * Finish : PVC

